

ACPS ParkSafe Gas Detectors



Key Features:

- 24VDC Power Input
- LED Status Indication
- Modern & Compact Design
- Plug & Play Installation
- Used With An AGS ParkSafe Controller
- Up to 16 Detectors Can Be Linked Together
- End of Operational Life & Annual Service Notification to ParkSafe Controller

Product Overview:

The AGS Controls PS range of detectors work in combination with the AGS Controls GDPPS ParkSafe, a Gas Detection & Ventilation Controller specifically designed for Parking Garage CO & NO₂ monitoring. Both the ACCOPS (carbon monoxide) & ACNO₂PS (nitrogen dioxide) features an electrochemical sensor for industrial and commercial indoor applications. Compact, modern, digital design makes the units aesthetically pleasing and easy to install.

Popular Applications:

- Emergency Service Stations (Apparatus Bays)
- Enclosed Parking Garages
- Condominiums
- Hotels
- Shopping Malls

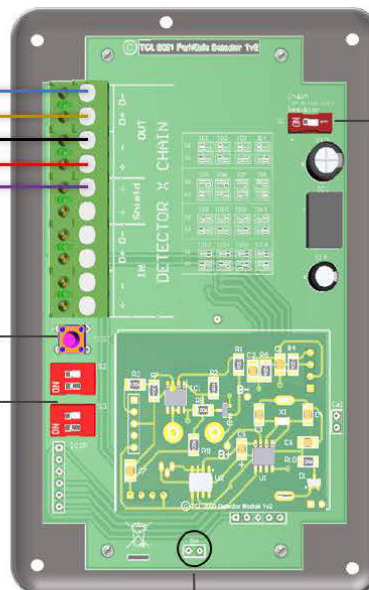
Detector Chain Terminals

Power & Data Connections
Wire Size: 18-14AWG

Modbus Data
24vdc Power
Shield

Circuit Simulation Test Button

ID Switch Configuration



Service Message Reset Header

Chain Termination Resistor

Switch on first and last device in the chain.

ACPS Detector Technical Specifications

General

Model:	ACPS Detector
Target Gases Available:	Carbon Monoxide (CO) / Nitrogen Dioxide (NO ₂)
Size: (H x W x D)	4.92 x 3.15 x 1.38"
Housing Material:	ABS Polyloc - PA765
Mounting:	Wall Mounting – No limits - Non-Hazardous Areas
Weight	1.6oz

User Interface

Display	LED
Visual Indicators:	Power / Alarm / Fault
Audible Alarm:	None

Power Supply

Power Consumption:	15mA Max @ 24Vdc
DC Power:	12-32Vdc (24vdc Nominal)
Internal Fuse:	None

Equipment

Overvoltage Category:	2
Pollution Degree:	2

Environmental

Ingress Protection:	Not Formally Evaluated
Operating:	-10 ~ 50°C / 14 ~ 122°F 30 ~ 80% RH (non-condensing)
Storage:	-25 ~ 50°C / -13~122°F up to 95% RH (non-condensing)
Altitude Rating:	<6500ft

Wiring

Typical	Copper 18AWG (0.75mm ²) Min. 8x screw terminals.
---------	--

Other

Communication	RS485 MODBUS RTU
---------------	------------------

Sensor Specifications

Factory Calibration Conditions	25° ± 5°C - 77° ± 41°F (40-70% RH)
Sensor Type	Electromechanical

Gas Sensor	Measuring Range (PPM)	Calibration Gas	Response (T90)	Response (T10)	Alarm: 1 (Pre Alarm Warning)	Alarm: 2	*EOL (Years)
Carbon Monoxide	0-1000ppm	120pm CO	<60s	<50s	<25ppm	<100ppm	5
Nitrogen Dioxide	0-20ppm	5pm NO ₂	<60s	<50s	<0.7ppm	<2ppm	3